

DS-PSP1-WE
Wireless Smart Plug
Quick Start Guide

English

1 APPEARANCE

1. Power Button 2. LED Indicator 3. Jack

2 ENROLLMENT

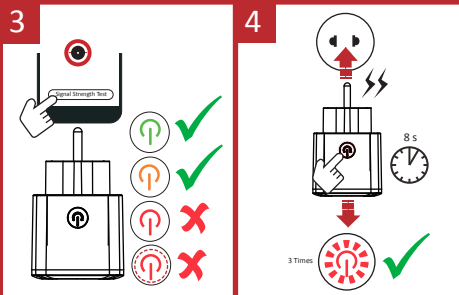
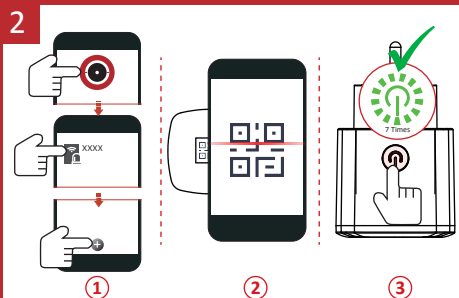
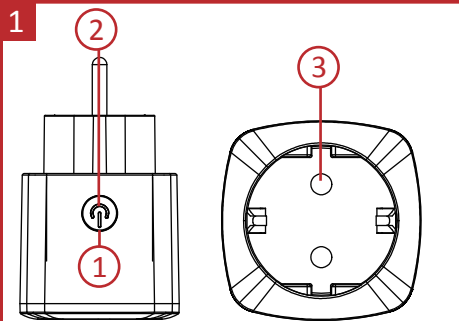
3 SIGNAL STRENGTH CHECKING

4 FORMATTING

Hold the power button for 8s, and power the plug on at the same time.

Specification

Power Button	1, for enrollment
Scenario Setting	By alarm, by operation, by fault, by schedule, by manual
RF method	Two way communication
RF Frequency	868 MHz
RF Distance	1600m
Wireless Security	AES-128
Power supply	AC 110v – 240v, 50/60 HZ , Max 10A
LEDs Status	1 (Green/Red)
Operation temperature	-10℃ to +55℃
Operation humidity	10% to 90%
Dimension(WxHxD)	52 mm x 52 mm x 88 mm
Weight	85 g
Installation method	Plug into Socket



Legal and Regulatory Information

