

VANDERBILT

CD30 Codoor

Configuration Manual

Liefermöglichkeiten und technische Änderungen vorbehalten.
Data and design subject to change without notice. / Supply subject to availability.
© 2016 Copyright by Vanderbilt International (IRL) Ltd.

Wir behalten uns alle Rechte an diesem Dokument und an dem in ihm dargestellten Gegenstand vor. Der Empfänger erkennt diese Rechte an und wird dieses Dokument nicht ohne unsere vorgängige schriftliche Ermächtigung ganz oder teilweise Dritten zugänglich machen oder außerhalb des Zweckes verwenden, zu dem es ihm übergeben worden ist.

We reserve all rights in this document and in the subject thereof. By acceptance of the document the recipient acknowledges these rights and undertakes not to publish the document nor the subject thereof in full or in part, nor to make them available to any third party without our prior express written authorization, nor to use it for any purpose other than for which it was delivered to him.

About this document

This **configuration manual** contains instructions for installation, setup, configuration and operation of CD30.

Trade mark

All products or company names mentioned in this manual for purposes of identification or description could be trademarks or registered trademarks of their respective owners.

Contacting us

If you have questions or suggestions regarding the product or this documentation, please contact your local Vanderbilt representative.

You can also visit our Web site at: www.vanderbiltindustries.com

Training courses

Vanderbilt provides training courses for all products.

Contents

1	Service description	5
2	Safety	5
2.1	Target group.....	5
2.2	General safety precautions	5
3	Standards and guidelines	6
3.1	EU directives	6
4	Technical data	6
5	Details for ordering	7
6	Package contents.....	7
7	Description of Equipment	8
7.1	General use.....	8
7.2	Mounting	8
7.3	Keypad	8
7.4	LED Status at battery warning	9
7.5	Buzzer	9
8	Change Administrator code.....	10
8.1	Present Administrator code is known.....	10
8.2	Present Administrator code is not known.....	11
9	Mounting	12
9.1	Technical details	12
9.2	Fitting CD30 to the door	13
9.2.1	Test mechanical function of CD30	14
9.3	Change batteries.....	14
10	Programming.....	15
10.1	Set Group code	15
10.1.1	Enter Group code.....	15
10.1.2	Change Group code.....	16
10.1.3	Delete Group code	16
10.2	Lock/unlock door	17
10.3	Disable/enable buzzer	17
11	Erase memory	18
12	Operation	19
12.1	Leaving the premises.....	19
12.2	Automatic resetting	19
12.3	Access blocking	19
12.4	Backup power supply.....	19
13	Command overview	20
14	Troubleshooting.....	21
15	Glossary	21
16	Keyword index.....	22

1 Service description

CD30 is a Scandinavian style Codoor. The CD30, a complete code lock suitable for fitting to a single door, incorporates an electronic code lock, a mechanical locking device and a power unit in the same housing.

2 Safety

2.1 Target group

Target readers	Qualification	Activity	Condition of the product
Installer	Technical training for building or electrical installations.	Installs the product, individual components of the product or replacement parts.	Components of the product are not yet installed or need to be replaced or modified.
Operational startup personnel	Technical training for building or electrical installations. Special knowledge of the device is required.	Puts the product into operation for the first time, or changes the existing configuration.	The product is installed but not yet configured, or the existing configuration is to be changed.
Service personnel	Technical training for building or electrical installations. Special knowledge of the device is required.	Checks the product at regular intervals to ensure that it is in good working order, services the device repairs it or expands and upgrades the device.	Product already in use and requiring servicing.

2.2 General safety precautions

- Read the general safety precautions before operating the device.
- Keep this document for reference.
- Always pass this document on together with the product.
- Please also take into account any additional country-specific, local safety standards or regulations concerning project planning, operation and disposal of the product.

Damage to the device due to electrostatic discharge (ESD)

- Always use wrist straps or similar connected to earth.

Damage due to unsuitable mounting location

- The device should only be used for indoor applications.

3 Standards and guidelines

3.1 EU directives

This product complies with the requirements of the European Directives. The EU declaration of conformity is available from:

Vanderbilt International (IRL) Ltd.
Clonshaugh Business and Technology Park
Clonshaugh
Dublin 17
Ireland

4 Technical data

	CD30
Operating voltage	Two Lithium 9V type 6LR61 batteries (not included). For a safe function we strongly recommend the use of our batteries Ultralife UL9V with 9V, 1200 mAh and sustaining minimum 400 mA peak current.
Operational time	Approx. one year
Number of codes	Nine 4-digit
Indicators	3 x LED (red/yellow/green) 1 x buzzer
Operating temperature	0 to +50 °C
Environment	Indoor use only
IP rating	IP30
Colour	Stainless steel
Dimensions (W x H x D)	285 x 64 x 59 mm
Weight	0.76 kg
Approval	CE

NOTE

Lithium batteries must be used because they provide the following advantages:

- The capacity is constant throughout battery life.
- Longer battery life reduces the environmental impact as fewer batteries are needed.
- Battery storage life can be up to ten years.



5 Details for ordering

Type	Order No.	Designation	Weight
CD30	V54521-C101-A100	Codoor	0.76 kg

6 Package contents

Check that you have the following parts before discarding the packing materials:

- 1 x CD30 (batteries excluded).
- 4 extension sleeves for handle nipples (use only one pair, M4 or M5).
- 1 x reinforcing spring.
- 1 x reinforcing spring holder.

7 Description of Equipment

7.1 General use

The CD30, a complete code lock suitable for fitting to a single door, incorporates an electronic code lock, a mechanical locking device and a power unit in the same housing. When CD30 is fitted, the outside door handle is disengaged and may be pressed down without opening the door. To open the door, a 4-digit code has to be entered. The handle on the inside of the door is not affected by CD30, and works normally for people leaving the premises.

7.2 Mounting

The CD30 may be fitted on most doors with handle operated ASSA modular type mortise locks. See 9 *Mounting* for more information.

When fitted, the external handle is inoperable until a valid code is entered. The internal handle is not affected and will retract the latch bolt as required.

7.3 Keypad

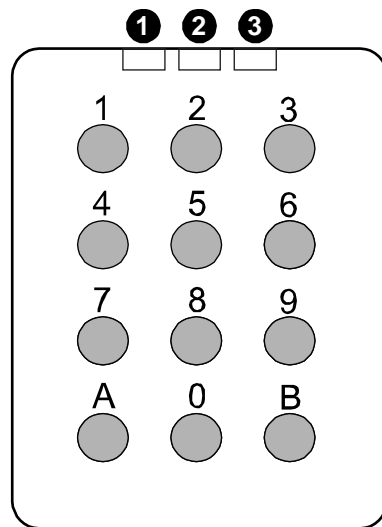


Fig. 1 Keypad CD30

❶	Red LED.
❷	Yellow LED.
❸	Green LED.
0-9	Are used for entering codes and/or programming.
A/B	Are used only for programming.

In this manual three symbols illustrate how the LEDs are used:

○ = OFF

● = ON

★ = Flashing

7.4 LED Status at battery warning

★ ○ ○	First warning level for low battery: Flashing LED and a delay of the unlocking.
★ ○ ○	Second warning level for low battery: Fast flashing LED on each key press. Door can be opened only with Administrator code.

7.5 Buzzer

CD30 also incorporates a buzzer to confirm each key press (if required).

The buzzer also sounds to confirm successful programming.

8 Change Administrator code

8.1 Present Administrator code is known



NOTE

- The Administrator code cannot be the same as the code 112186 to erase the memory. See section *11 Erase memory*.
 - If you are in administrator mode and don't press a key the device will automatically leave the administrator mode after 30 seconds.
-

CD30 is delivered with the default Administrator code set as 112233.

1. Press B.
→ ○ ○ *
2. Enter the 6-digit Administrator code.
→ * * *
3. Press A27.
→ The buzzer sounds a confirm tune.
→ ● ● ●
4. Enter a new 6-digit Administrator code.
→ The buzzer sounds a confirm tune.
5. Verify by entering the same Administrator code again.
→ CD30 exits at the Administrator mode.
→ * * *
6. Make a note of the Administrator code.

8.2 Present Administrator code is not known



NOTE

- The Administrator code cannot be the same as the code 112186 to erase the memory. See section *11 Erase memory*.
- If you are in administrator mode and don't press a key the device will automatically leave the administrator mode after 30 seconds.

1. Remove the CD30 from the door.
2. **Quickly** press the reset button on the back of the CD30.

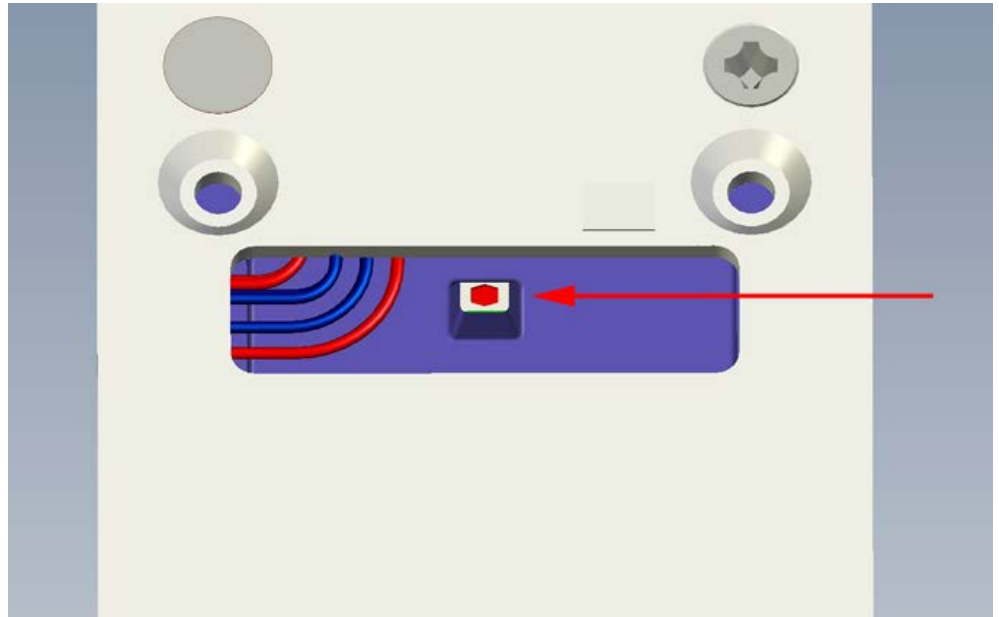


Fig. 2 Reset button on the back

- The buzzer sounds a confirm tune.
 - * * *
3. Enter the desired 6-digit Administrator code.
 - The buzzer sounds a confirm tune.
 4. Verify by entering the same Administrator code again.
 - The buzzer sounds a confirm tune.
 - If the second input doesn't match the first input the buzzer will sound a error tone and the Administrator code will not be changed.
 5. Make a note of the Administrator code.

9 Mounting

9.1 Technical details



NOTE 1

Do not mount two CD30 units back to back on one door. They cannot both control the latch.

- CD30 is suitable for most doors with handle-operated mortise locks.
- The distance between the centre of the handle and the centre of the cylinder should be between 105 – 116 mm.
- Latchbolt function.
- The handle must have an 8 mm square spindle.
- The handle's fixing holes should be at 30 – 38 mm centres (diagonal).
- The CD30 can be used with a variety of locks such as ASSA 8561 or 565 – but not the ASSA 410 series.
- The backset should be 70 mm.

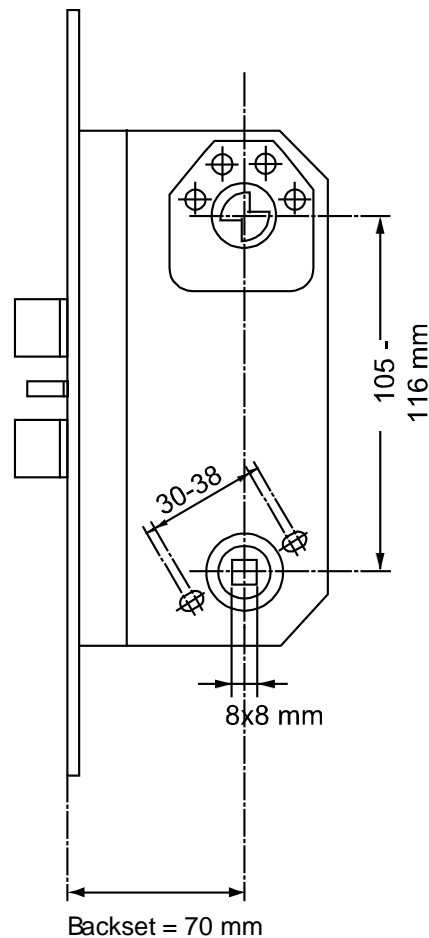


Fig. 3 CD30 door mounting

9.2 Fitting CD30 to the door



1



2



3



4



5



6

1. Check that the Administrator code has been set. See section 8 *Change Administrator code*.
2. Make sure you have the following tools handy:
 - Screwdriver for door handle and cylinder ring screws.
 - Hacksaw for trimming lever handle spindle.
3. Remove the cylinder ring and door handle from the door by loosening the four screws. See figure 1.
4. Ensure that the handle spindle does not project more than 20 mm on the outside of the door. If the spindle is too long, push it through into the handle on the inside. If this cannot be done, cut the spindle to the right length. See figure 2.
5. Prepare the handle by extending the screws with the supplied extension sleeves (M4 or M5). See figure 3.
6. Place the CD30 on the outside of the door with the handle attached, and pass the lever handle spindle through the square hole. See figure 4.
7. Ensure that the red mark on the follower point downwards. See figure 5.
8. Tighten the four previously loosened screws to the nipples (the screws for the handle first). These should be just firm. Over-tightening may distort the lock structure so that it jams. See figure 6.
9. Test the mechanical function of the CD30. See section 9.2.1 *Test mechanical function of CD30*.

9.2.1 Test mechanical function of CD30

- It must always be possible to open the door from the inside.
- The handle on the outside should not be engaged, and should not open the door until the correct code is entered.
- When the correct code is entered, the handle on the outside should activate the lock, but only once. As the handle is released, it should again disengage.
- If the correct code is entered but the handle is not pressed down, the CD30 should automatically disengage the handle after about 4 seconds.
- The handle on the outside must not be jammed in any position, and should spring back up completely after being pressed down.

9.3 Change batteries

When the unit's batteries run flat the CD30 will cease to release the latch so the unit should be fitted with cylinder override. The lock has a backup power supply that will allow the door to be opened a limited number of times, but the batteries should be replaced as soon as the low battery warning is noticed. See sections *10.3 Disable/enable buzzer* and *12.4 Backup power supply*.

1. Remove the CD30 from the door.
2. Remove the two batteries from the rectangular shaped holes on the lower part of the back of the unit (to power off the unit).
3. Always change both batteries at the same time. See section *4 Technical data*.
4. Re-mount the CD30.

10 Programming

10.1 Set Group code

Up to nine 4-digit codes can be programmed into the CD30. The ninth code can also be used to unlock/lock the door.

10.1.1 Enter Group code



NOTE

If you have entered the wrong Axx command (e.g. in step 3 below) you can abort the command and exit to Administrator mode by pressing A again.

Nine 4-digit Group codes can be set. Each Group code needs to be assigned a code number (1-9).

Note that the code 0000 cannot be used as group code because it is used for deleting existing group codes. See *10.1.3 Delete Group code*.

1. Press **B**.
→ ○ ○ *
2. Enter the 6-digit Administrator code. See section *8 Change Administrator code*.
→ * * *
3. Press **A21**.
→ The buzzer sounds a confirm tune.
→ ● ○ ●
4. Enter the desired 1-digit code number (1-9).
→ The buzzer sounds a confirm tune.
→ ● ○ ●
5. Enter the desired 4-digit Group code.
→ The buzzer sounds a confirm tune.
→ ● ○ ●
6. To set another Group code, follow steps 4-5.
7. Press B to enter the Administration mode.
8. Press B to leave the Administration mode.

Codes					
Code 1:		Code 4:		Code 7:	
Code 2:		Code 5:		Code 8:	
Code 3:		Code 6:		Code 9:	

10.1.2 Change Group code

1. Press **B**.
→ ○ ○ ★
2. Enter the 6-digit Administrator code. See section 8 *Change Administrator code*.
→ ★ ★ ★
3. Press **A21**.
→ The buzzer sounds a confirm tune.
→ ● ○ ●
4. Enter the desired 1-digit code number (1-9).
→ The buzzer sounds a confirm tune.
→ ● ○ ●
5. Enter the desired 4-digit Group code.
→ The buzzer sounds a confirm tune.
→ ● ○ ●
→ The existing Group code will be over-written.
6. To change another Group code, follow steps 4-5.
7. Press **B** to enter the Administration mode.
8. Press **B** to leave the Administration mode.

10.1.3 Delete Group code

1. Press **B**.
→ ○ ○ ★
2. Enter the 6-digit Administrator code. See section 8 *Change Administrator code*.
→ ★ ★ ★
3. Press **A21**.
→ The buzzer sounds a confirm tune.
→ ● ○ ●
4. Enter the desired 1-digit code number (1-9).
→ The buzzer sounds a confirm tune.
→ ● ○ ●
5. Enter **0000**.
→ The buzzer sounds a confirm tune.
→ ● ○ ●
6. To delete another Group code, follow steps 4-5.
7. Press **B** to enter the Administration mode.
8. Press **B** to leave the Administration mode.

10.2 Lock/unlock door

Unlock door

1. Press **A1A**.
 - The buzzer sounds a confirm tune.
 - ○ ● ○
2. Enter the group code stored as the 9th code (four digits).
 - The buzzer sounds a confirm tune.
 - ○ ○ ●
3. Open the door.

Lock door

1. Press **A0A**.
 - The buzzer sounds a confirm tune.
 - ○ ● ○
2. Enter the group code stored as the 9th code (four digits).
 - The buzzer sounds a confirm tune.
 - The door is now locked.
 - CD30 returns to normal operation.

10.3 Disable/enable buzzer

The default setting is for the buzzer to sound as each key is pressed. Change if silent operation is required.

1. Press **B**.
 - ○ ○ ★
2. Enter the 6-digit Administrator code. See section 8 *Change Administrator code*.
 - ★ ★ ★
3. Press **A65**.
 - The buzzer sounds a confirm tune.
 - ● ● ●
4. To enable press **1**.
 - or -
 - To disable press **0**.
 - The buzzer sounds a confirm tune.
 - The CD30 returns to the Administrator mode.
5. Press **B** to leave the Administrator mode.

11 Erase memory

In cases where the CD30 is moved to another door (with new users), old codes should not remain. The best way to ensure this is to erase the memory.

1. Remove the CD30 from the door.
2. Press and hold the reset button on the back of the CD30 for at least 2 seconds.
 - The buzzer sounds a confirm tune.
 - * * *

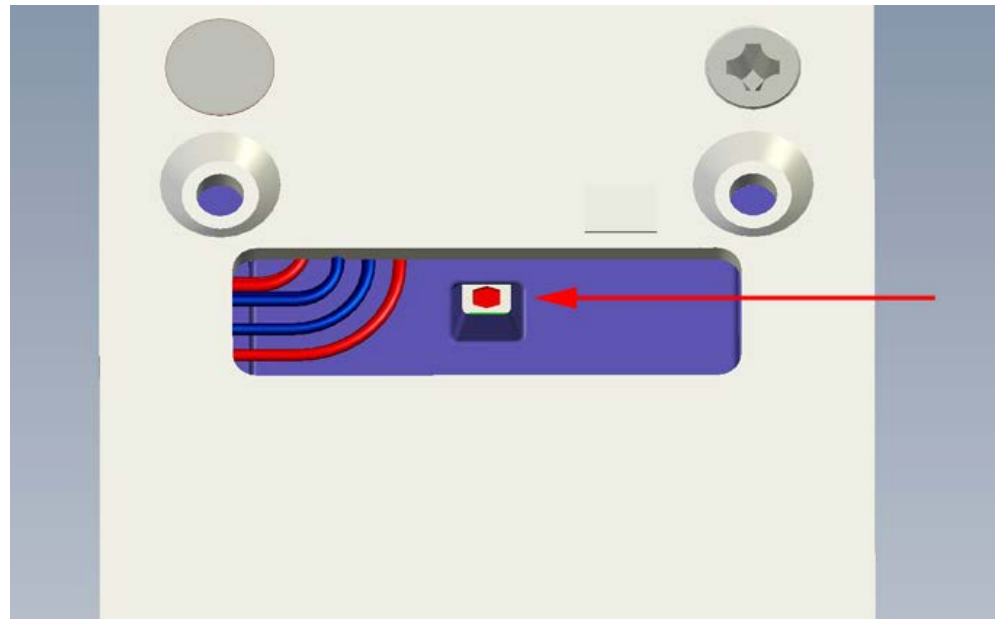


Fig. 4 Reset button on the back

3. Press **112186**.
 - The buzzer sounds a confirm tune.
 - The buzzer sounds a warning tone to alert that you are about to erase the memory.
 - * * *
4. Press **112186**.
 - The buzzer sounds a confirm tune.
 - ○ ○ ○
 - The memory is erased.
 - The CD30 is in default mode with the following default settings:
 - Administrator code: 112233
 - The Administrator code can also be used for unlocking the door.
 - All memory locations are empty.
 - Buzzer on.

12 Operation

12.1 Leaving the premises

The CD30's mechanical locking device only affects the outside door handle. The door can always be opened from the inside as usual.

12.2 Automatic resetting

CD30 has two separate resetting systems to return the lock to the locked position after a code has been entered. The lock is reset mechanically each time the door handle is used during access. The lock is also electronically reset if the handle is not used within 4 seconds after a code being entered.

This provides security against unauthorised access, since the CD30 can never accidentally be left in the unlocked position.

12.3 Access blocking

To eliminate attempts to obtain an access code by trial and error, CD30 incorporates a blocking function to disable the unit after 12 false key presses (three successive incorrect 4-digit codes). The unit remains blocked until 2 correct codes are entered successively.

12.4 Backup power supply

When the batteries are running low, CD30 will flash the red LED for 3 seconds before opening the lock. The lock has a backup power supply that will allow the door to be opened 200 times or a time of two weeks has passed.

After the door has been opened 200 times the only way to open the door is with the Administrator code.

13 Command overview

Command	1.	2.	3.	4.	5.	6.	7.
Change Administrator code							
Change Administrator code (Present Administrator code is known)	Press B.	Enter the 6-digit Administrator code.	Press A27.	Enter a new 6-digit Administrator code.	Verify by entering the same Administrator code again.	Make a note of the Administrator code.	
Change Administrator code (Present Administrator code is not known)	Remove the CD30 from the door.	Press quickly the reset button on the back of the CD30.	Enter the desired 6-digit Administrator code.	Verify by entering the same Administrator code again.	Make a note of the Administrator code.		
Change Group code							
Enter Group code Change group code	Press B.	Enter the 6-digit Administrator code.	Press A21.	Enter the desired 1-digit code number (1-9).	Enter the desired 4-digit Group code.	Press B to enter the Administration mode.	Press B to leave the Administration mode.
Delete Group code	Press B.	Enter the 6-digit Administrator code.	Press A21.	Enter the desired 1-digit code number (1-9)	Enter 0000.	Press B to enter the Administration mode.	Press B to leave the Administration mode.
Unlock/Lock door							
Unlock door	Press A1A.	Enter the group code stored as the 9th code (four digits).					
Lock door	Press A0A.	Enter the group code stored as the 9th code (four digits).					
Buzzer enable/disable							
Disable buzzer	Press B.	Enter the 6-digit Administrator code.	Press A65.	To enable press 0.	Press B to leave the Administration mode.		
Enable buzzer	Press B.	Enter the 6-digit Administrator code.	Press A65.	To disable press 1.	Press B to leave the Administration mode.		
Erase memory							
Erase memory	Remove the CD30 from the door.	Press the reset button on the back of the CD30.	Press 112186.	Press 112186.			

14 Troubleshooting

Symptom	Remedy
Lock does not open when Group code/PIN is entered.	<ul style="list-style-type: none"> ● Check that the correct Group code/PIN has been entered. ● Make sure the handle is not pressed down as the code is entered ● Check that the handle is not sagging. ● Check that CD30 is fitted exactly vertical. ● Check that the lock is not fitted too tightly to the door, in which case the handle could be jammed. ● Check that the red mark on the follower for the lever handle spindle is pointing downwards.
CD30 is in unlocked position	<ul style="list-style-type: none"> ● Set CD30 to locked position (if required). See section <i>10.2 Lock/unlock door</i>.
CD30 does not sound following key presses.	<ul style="list-style-type: none"> ● Activate the buzzer. See section <i>10.3 Disable/enable buzzer</i>. ● Check the batteries and change any discharged batteries. See section <i>9.3 Change batteries</i>.
Batteries are rapidly discharged.	<ul style="list-style-type: none"> ● Frequent use requires frequent change of batteries. See section <i>9.3 Change batteries</i>. ● Check whether the handles returning to the horizontal position.

15 Glossary

	Definition
Access group	a number of users sharing the same access level
Administrator code	a combination of alphanumeric characters that an administrator possesses for verification of identity
Group code	a combination of numeric character that an access group possesses for verification of identity

16 Keyword index

A

Administrator code, 10

B

Backup power supply, 19

battery warning, 9

Buzzer, 9, 17

C

Change Administrator code, 10

Existent code known, 10

Existent code not known, 11

Change batteries, 14

D

Description of Equipment, 8

Details for ordering, 7

Disable/enable buzzer, 17

E

Erase memory, 18

F

Fitting CD30 to the door, 13

G

Group code, 15

~ change, 16

~ delete, 16

~ set, 15

K

Keypad, 8

L

Lock/unlock door, 17

M

Memory, 18

Mounting, 8, 12

Fitting CD30, 13

Test mechanical funktion, 14

O

Operation, 19

P

Package contents, 7

S

Safety, 5

Service description, 5

Standards and guidelines, 6

T

Target group, 5

Technical data, 6

Test mechanical function of CD30, 14

Troubleshooting, 21

VANDERBILT

CD30 Codoor

Konfigurationshandbok

Data och konstruktion kan komma att ändras utan föregående meddelande. / Leverans i mån av tillgång.
Data and design subject to change without notice. / Supply subject to availability.

© 2016 Copyright Vanderbilt International (IRL) Ltd.

Alla rättigheter till detta dokument och till föremålet för det förbehålles. Genom att acceptera dokumentet erkänner mottagaren dessa rättigheter och förbinder sig att inte publicera dokumentet, eller föremålet därför, helt eller delvis, och att inte göra dem tillgängliga för tredje part utan skriftligt tillstånd från oss, och att inte använda dem för något annat syfte än det för vilket de levererats.

We reserve all rights in this document and in the subject thereof. By acceptance of the document the recipient acknowledges these rights and undertakes not to publish the document nor the subject thereof in full or in part, nor to make them available to any third party without our prior express written authorization, nor to use it for any purpose other than for which it was delivered to him.

Om detta dokument

Denna **konfigurationshandbok** innehåller instruktioner om hur du installerar, ställer in, konfigurerar och använder CD30.

Varumärken

Alla produkter eller företagsnamn som omnämns i den här handboken enbart i identifierande eller beskrivande syfte och kan vara varumärken eller registrerade varumärken som tillhör respektive ägare.

Kontakta oss

Om du har frågor eller förslag angående produkten eller denna dokumentation, kontakta din lokala Vanderbilt representant.

Du kan också besöka vår webbsida på www.vanderbiltindustries.com.

Utbildning

Vanderbilt erbjuder utbildning för alla produkter.

Innehåll

1	Produktbeskrivning	27
2	Säkerhet	27
2.1	Målgrupp	27
2.2	Allmänna säkerhetsåtgärder	27
3	Standarder och riktlinjer	28
3.1	EU-direktiv	28
4	Tekniska data	29
5	Beställningsuppgifter	30
6	Förpackningens innehåll.....	30
7	Beskrivning av utrustningen	31
7.1	Allmänt	31
7.2	Montering	31
7.3	Knappsats	31
7.4	Lysdiodstatus vid batterivarning.....	32
7.5	Summer.....	32
8	Ändra administratörskod	33
8.1	Existerande administratörskod känd.....	33
8.2	Existerande administratörskod okänd.....	34
9	Montering.....	35
9.1	Tekniska detaljer	35
9.2	Installera CD30 i dörren	36
9.2.1	Testa den mekaniska funktionen av CD30	37
9.3	Byta batterier.....	37
10	Programmering	38
10.1	Ställa in gruppkod	38
10.1.1	Ange gruppkod.....	38
10.1.2	Ändra gruppkod.....	39
10.1.3	Ta bort gruppkod.....	39
10.2	Låsa/låsa upp dörren	40
10.3	Inaktivera/aktivera summern.....	40
11	Rensa minnet.....	41
12	Användning	42
12.1	Passage ut	42
12.2	Automatisk återställning.....	42
12.3	Blockera åtkomst.....	42
12.4	Reservström	42
13	Översiktskommandon	43
14	Lösa problem.....	44
15	Förklarande ordlista.....	44
16	Index.....	45

1 Produktbeskrivning

CD30 är en skandinavisk passerkontroll. CD30 är ett komplett kodlås för en dörr och innehåller elektronisk kodlås, mekanisk låskoppling och strömförsörjning i samma kapsling.

2 Säkerhet

2.1 Målgrupp

Handbokens läsare	Kvalifikationer	Uppgifter	Produktstatus
Installatör	Teknisk utbildning för bygg- eller elinstallationer.	Installerar produkten, enskilda produktkomponenter eller utbytesdelar.	Komponenterna i produkten är ännu inte installerade eller behöver bytas eller ändras.
Driftsättningspersonal	Teknisk utbildning för bygg- eller elinstallationer. Specialutbildning på enheten krävs.	Driftsätter produkten första gången eller ändrar den befintliga konfigurationen.	Produkten är installerad men ännu inte konfigurerad eller den befintliga konfigurationen behöver ändras.
Underhållspersonal	Teknisk utbildning för bygg- eller elinstallationer. Specialutbildning på enheten krävs.	Kontrollerar produkten vid regelbundna intervaller för att säkerställa en god funktion, utför underhåll på enheten samt reparationer eller utökar och uppgraderar enheten.	Produkten är i drift och kräver underhåll.

2.2 Allmänna säkerhetsåtgärder

- Läs avsnittet om allmänna säkerhetsåtgärder innan enheten sätts i drift.
- Använd detta dokument som referens.
- Detta dokument ska alltid medfölja produkten.
- Det är viktigt att ta hänsyn till andra ytterligare landsspecifika, lokala säkerhetsförfordningar och regler gällande projektplanering, drift och kassering av produkten.

Produktskada till följd av elektrostatisk urladdning (ESD)

- Använd alltid armband eller liknande förbundet med jord.

Skada till följd av montering på olämplig plats

- Enheten ska enbart användas för tillämpning inomhus.

3 Standarder och riktlinjer

3.1 EU-direktiv

Denna produkt uppfyller kraven enligt de europeiska direktiven. EU-förklaring om överensstämmande kan beställas från:

Vanderbilt International (IRL) Ltd.
Clonshaugh Business and Technology Park
Clonshaugh
Dublin 17
Ireland

4 Tekniska data

CD30	
Strömförsörjning	Två litium batterier, 9V. Typ: 6LR61 (inte inkluderade). För säker funktion rekommenderar vi starkt användning av våra batterier Ultralife UL9V med 9V, 1200 mAh och som klarar minst 400 mA toppström.
Driftlivslängd	Ca. 1 år
Antal koder	Nio fyrsiffriga
Indikatorer	3 x lysdioder (röd/gul/grön) 1 x summer
Drifttemperatur	0 - +50 °C
Omgivning	Uteslutande inomhus
IP-märkning	IP30
Färg	Rostfritt stål
Mått (H x B x D)	245 x 64 x 59 mm
Vikt	0.76 kg

OBS!**Litiumbatterier skall användas då de har följande fördelar:**

- Kapaciteten är konstant under hela batterilivslängden.
- Längre batterilivslängd är mindre belastande för miljön då färre batterier används.
- Batteriet kan förvaras i upp till tio år.



5 Beställningsuppgifter

Typ	Beställningsnr.	Benämning	Vikt
CD30	V54521-C101-A100	Codoor	0,76 kg

6 Förpackningens innehåll

Kontrollera att du har fått följande delar innan du kastar förpackningsmaterialet:

- 1 x CD30 (exklusive batterier).
- 4 förlängningshylsor för handtagets skruvar (använd enbart ett par M4 eller M5).
- 1 x förstärkningsfjäder.
- 1 x förstärkningsfjäderhållare.

7 Beskrivning av utrustningen

7.1 Allmänt

CD30 är ett komplett kodlås för en dörr och innehåller elektronisk kodlås, mekanisk låskoppling och strömförsörjning i samma kapsling. När Codoor är monterat frigörs det yttre dörrhandtaget och det kan tryckas ned utan att dörren öppnas. För passering används en 4-siffrig kod. Vid utpassering fungerar det inre handtaget som vanligt, eftersom detta inte påverkas av Codoor.

7.2 Montering

CD30 kan monteras på de flesta dörrar med ASSA modulära fallås. Se avsnitt 9 *Montering* för mera information

När monterad, är det yttre handtaget oanvändbart tills dess giltig kod angivits. Dörrhandtaget på insidan påverkas inte och låsregeln kan alltid öppnas inifrån.

7.3 Knappsats

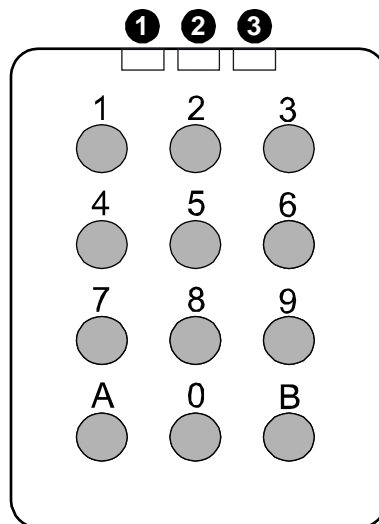


Fig. 1 Knappsats för CD30

❶	Röd lysdiod
❷	Gul lysdiod
❸	Grön lysdiod
0-9	Används för inmatning av koder och/eller programmering.
A/B	Används enbart för programmering.

I den här handboken anger följande tre symboler lysdiodernas funktion:

○ = AV

● = PÅ

★ = Blinkar

7.4 Lysdiodstatus vid batterivarning

★ ○ ○	Första varning om svagt batteri. Blinkande lysdiod samt en fördröjning av upplåsningen.
★ ○ ○	Andra varningsnivå för svagt batteri. Snabbt blinkande lysdiod vid varje knapptryckning. Dörren kan bara öppnas med administratörskoden.

7.5 Summer

CD30 har även en summer som bekräftar varje knapptryck (om så önskas).

Summern ger också en signal som anger att programmeringen gått bra.

8 Ändra administratörskod

8.1 Existerande administratörskod känd

**OBS!**

- Administratörskoden kan inte vara samma kod som används för att rensa minnet (112186). Se avsnitt 11 *Rensa minnet*.
 - Om du är administratör och inte trycker på någon knapp kommer enheten att automatiskt lämna administratörsläget efter 30 sekunder.
-

CD30 levereras med den standardinställda administratörskoden 112233.

1. Tryck på B.
→ ○ ○ *
2. Ange den 6-siffriga administratörskoden.
→ * * *
3. Tryck på A27.
→ Summern avger en signal för att bekräfta.
→ ● ● ●
4. Ange en ny 6-siffrig administratörskod.
→ Summern avger en signal för att bekräfta.
5. Bekräfta genom att ange den nya administratörskoden en gång till.
→ CD30 lämnar administratörsläget.
→ * * *
6. Notera administratörskoden.

8.2 Existerande administratörskod okänd



OBS!

- Administratörskoden kan inte vara samma kod som används för att rensa minnet (112186). Se avsnitt 11 *Rensa minnet*.
- Om du är administratör och inte trycker på någon knapp kommer enheten att automatiskt lämna administratörsläget efter 30 sekunder.

1. Ta av CD30 från dörren.
2. Tryck **snabbt** på återställningsknappen på baksidan av CD30.

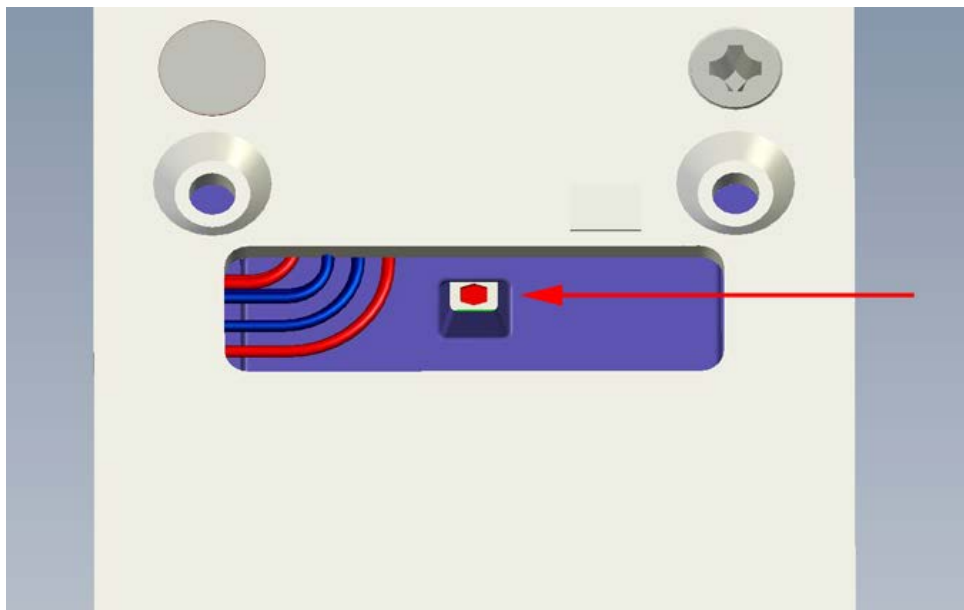


Fig. 2 Återställningsknappen på baksidan

- Summern avger en signal för att bekräfta.
 - * * *
3. Ange en 6-siffrig administratörskod.
 - Summern avger en signal för att bekräfta.
 4. Verifiera genom att ange administratörskoden igen.
 - Summern avger en signal för att bekräfta
 - Om den andra inmatningen inte stämmer med den första kommer summern att avge en felsignal och administratörskoden kommer inte att ändras.
 5. Notera administratörskoden.

9 Montering

9.1 Tekniska detaljer


OBS!

Montera inte två CD30-enheter på baksidan av en dörr. De kan inte båda styra låset.

- CD30 kan användas på de flesta dörrar med handtagsreglerade fallås.
- Avståndet mellan mitten på handtag och mitten av cylindern ska vara mellan 105 – 116 mm.
- Regellåsfunktion.
- Vredet måste ha en 8 mm kantspindel.
- Vredens fixturhål ska vara minst 30 – 38 mm i diameter.
- CD30 kan användas med flera olika typer av lås så som ASSA 8561 eller 565 – men inte ASSA 410 serien.
- Inpassningen ska vara 70 mm.

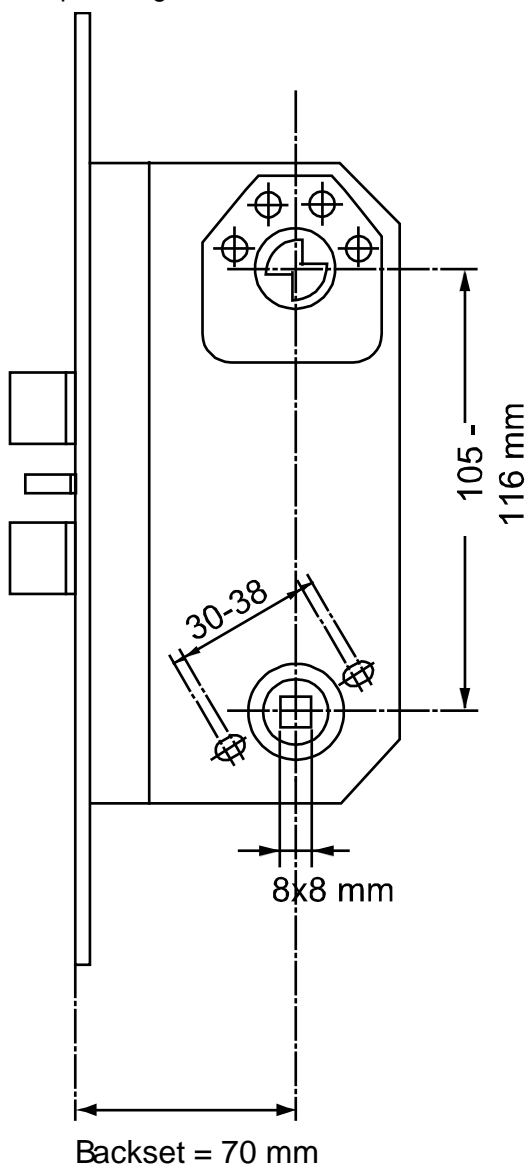


Fig. 3 CD30 dörrmontering

9.2 Installera CD30 i dörren



1. Kontrollera att administratörskoden har ställts in. Se avsnitt 8 *Ändra administratörskod*.
2. Se till att ha följande verktyg tillhands:
 - Skruvmejsel för skruvarna till handtag och cylinderring.
 - Bågfil för anpassning av handtagets spindel.
3. Ta bort cylinderringen och handtaget från dörren genom att lossa på de fyra skruvarna. Se figur 1.
4. Säkerställ att handtagets spindel inte sticker ut mer än 20 mm på utsidan av dörren. Om spindeln är för lång, tryck in den i handtaget på insidan. Om detta inte fungerar, kapa av spindeln till lämplig längd. Se figur 2.
5. Förbered handtaget genom att förlänga skruvarna med de medlevererade förlängningshylsorna (M4 eller M5). Se figur 3.
6. Placera CD30 på utsidan av dörren med handtaget på plats och för in handtagsspindelns genom det fyrkantiga hålet. Se figur 4.
7. Säkerställ att den röda markeringen på införingshylsan alltid pekar nedåt. Se figur 5.
8. Spänn fast de tidigare lossade fyra skruvarna igen (börja med skruvarna i handtaget). Dessa ska sitta lagom hårt. Om skruvarna dras åt för hårt kan detta göra att handtaget fastnar. Se figur 6.
9. Testa den mekaniska funktionen för CD30. Se avsnitt 9.2.1 *Testa den mekaniska funktionen av CD30*.

9.2.1 Testa den mekaniska funktionen av CD30

- Det ska alltid vara möjligt att öppna dörren från insidan.
- Handtaget på utsidan ska inte aktiveras och inte kunna öppnas förrän rätt kod angivits.
- När rätt kod används ska handtaget på utsidan aktivera låset, men bara en gång. När handtaget släpps ska handtagsfunktionen kopplas ur igen.
- Om rätt kod används men handtaget inte trycks ned, ska CD30 koppla ur handtagsfunktionen efter ca. 4 sekunder.
- Handtaget på utsidan får inte fastna i någon position och ska återgå till normalt läge när det tryckts ned och sedan släpps.

9.3 Byta batterier

När batterierna i enheten tar slut, kommer CD30 att upphöra att frigöra regeln så enheten bör förses med cylinderlåsfunktion. Låset har en reservströmförsörjning som gör att det är möjligt att öppna dörren ett begränsat antal gånger men batterierna ska bytas ut så snart batteriindikationen observerats. Se avsnitten, *10.3 Inaktivera/aktivera summern* och *12.4 Reservström*.

1. Ta av CD30 från dörren.
2. Ta ur de två batterierna ur de fyrkantiga hålen i den nedre delen på enhetens baksida (så att enheten blir strömlös).
3. Byt alltid båda batterierna samtidigt. Se avsnitt *4 Tekniska data*.
4. Montera återigen CD30.

10 Programmering

10.1 Ställa in gruppkod

Upp till nio fyrsiffriga grupp-koder kan programmeras i CD30. Den nionde koden kan också användas för att låsa upp/låsa dörren.

10.1.1 Ange grupp-kod



OBS!

Om du har angett ett felaktigt Axx-kommando (t.ex. i steg 3 nedan) kan du avbryta kommandot och gå ur administratörs-läget genom att trycka på A igen.

Nio 4-siffriga grupp-koder kan ställas in. Varje grupp-kod måste tilldelas ett kodnummer (1-9).

Notera att 0000 inte kan användas som grupp-kod eftersom den används för att radera en befintlig grupp-kod. Se 10.1.3 *Ta bort grupp-kod*.

1. Tryck på **B**.
→ ○ ○ *
2. Ange den 6-siffriga administratörs-koden. Se avsnitt 8 Ändra administratörs-kod.
→ * * *
3. Tryck på **A21**.
→ Summern avger en signal för att bekräfta.
→ ● ○ ●
4. Mata in ett 1-siffrigt kodnummer (1-9).
→ Summern avger en signal för att bekräfta.
→ ● ○ ●
5. Ange önskad 4-siffrig grupp-kod.
→ Summern avger en signal för att bekräfta.
→ ● ○ ●
6. För att ställa in ytterligare grupp-koder, upprepa steg 4-5.
7. Tryck **B** för att återgå till administratörs-läget.
8. Tryck **B** för att lämna administratörs-läget.

Koder					
Kod 1:		Kod 4:		Kod 7:	
Kod 2:		Kod 5:		Kod 8:	
Kod 3:		Kod 6:		Kod 9:	

10.1.2 Ändra gruppkod

1. Tryck på **B**.
→ ○ ○ *
2. Ange den 6-siffriga administratörskoden. Se avsnitt 8 Ändra administratörskod.
→ * * *
3. Tryck på **A21**.
→ Summern avger en signal för att bekräfta.
→ ● ○ ●
4. Mata in med ett 1-siffrigt kodnummer (1-9).
→ Summern avger en signal för att bekräfta.
→ ● ○ ●
5. Ange önskad 4-siffrig gruppkod.
→ Summern avger en signal för att bekräfta.
→ ● ○ ●
→ Den befintliga grupp-koden skrivs över.
6. För att ändra ytterligare grupp-koder, upprepa steg 4-5.
7. Tryck **B** för att återgå till administratörsläget.
8. Tryck **B** för att lämna administratörsläget.

10.1.3 Ta bort grupp-kod

1. Tryck på **B**.
→ ○ ○ *
2. Ange den 6-siffriga administratörskoden. Se avsnitt 8 Ändra administratörskod.
→ * * *
3. Tryck på **A21**.
→ Summern avger en signal.
→ ● ○ ●
4. Mata in med ett 1-siffrigt kodnummer (1-9).
→ Summern avger en signal.
→ ● ○ ●
5. Ange **0000**.
→ Summern avger en signal för att bekräfta.
→ ● ○ ●
6. För att ta bort ytterligare grupp-koder, upprepa steg 4-5.
7. Tryck **B** för att återgå till administratörsläget.
8. Tryck **B** för att lämna administratörsläget.

10.2 Låsa/låsa upp dörren

Låsa upp dörren

1. Tryck på **A1A**.
 - Summern avger en signal för att bekräfta.
 - ○ ● ○
2. Ange den gruppkod som är lagrad som nionde kod (fyra siffror).
 - Summern avger en signal för att bekräfta.
 - ○ ○ ●
3. Öppna dörren.

Låsa dörren

1. Tryck på **A0A**.
 - Summern avger en signal för att bekräfta.
 - ○ ● ○
2. Ange den gruppkod som är lagrad som nionde kod (fyra siffror).
 - Summern avger en signal för att bekräfta.
 - Dörren är nu låst.
 - CD30 återgår till normal funktion.

10.3 Inaktivera/aktivera summern

Standardinställningen för summern är att avge en signal för varje knapptryck. Ändra denna inställning om tyst användning önskas

1. Tryck på **B**.
 - ○ ○ ★
2. Ange den 6-siffriga administratörskoden. Se avsnitt 8 *Ändra administratörskod*.
 - ★ ★ ★
3. Tryck på **A65**.
 - Summern avger en signal för att bekräfta.
 - ● ● ●
4. För att aktivera, tryck på **1**.
 - eller -
 - För att inaktivera tryck på **0**.
 - Summern avger en signal för att bekräfta.
 - CD30 återgår till administratörsläget.
5. Tryck på **B** för att lämna administratörsläget.

11 Rensa minnet

Innan en CD30 flyttas och tas i bruk på en annan dörr (med nya användare), bör du se till att inga koder finns kvar. Det enklaste sättet är att rensa minnet.

1. Ta av CD30 från dörren.
2. Tryck och håll nere återställningsknappen på baksidan av CD30 i minst 2 sekunder.

→ Summern avger en signal för att bekräfta.

→ * * *

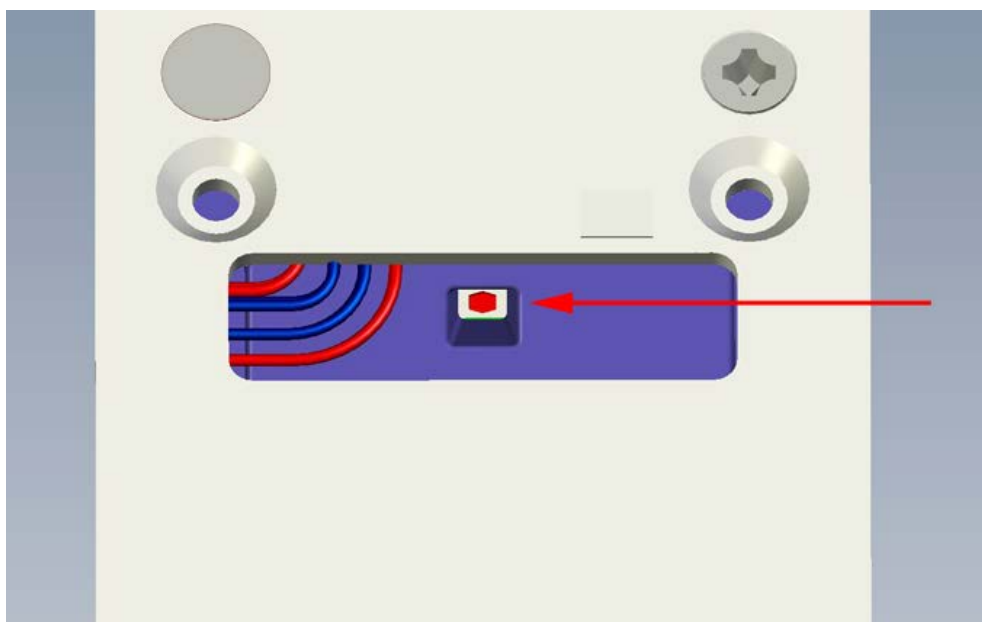


Fig. 4 Återställningsknappen på baksidan

3. Mata in **112186**.

→ Summern avger en signal för att bekräfta.

→ Summern avger en varningssignal som uppmärksammar dig på att du håller på att radera minnet.

→ * * *

4. Mata in **112186**.

→ Summern avger en signal för att bekräfta.

→ ○ ○ ○

→ Minnet är nu rensat.

→ CD30 är i fabriksläge och har följande standardinställningar:

- Administratörskod: 112233
- Administratörskoden kan också användas för att låsa upp dörren.
- Alla minnespositioner är tomma.
- Summer på.

12 Användning

12.1 Passage ut

CD30:s mekaniska låsenhet inverkar enbart på handtaget på utsidan. Dörren kan alltid öppnas inifrån på normalt sätt.

12.2 Automatisk återställning

CD30 har två separata återställningssystem för återställa låset till låst läge när en kod matats in. Låset återställs mekaniskt varje gång handtaget trycks ned för passage. Låset återställs elektroniskt om handtaget inte trycks ned inom 4 sekunder efter att en kod använts.

Detta skyddar mot att obehöriga kan öppna dörren eftersom CD30 aldrig lämnas i olåst läge.

12.3 Blockera åtkomst

För att förhindra att man försöker öppna dörren genom att prova olika koder i en följd, har CD30 försetts med en blockeringsfunktion som inaktiverar enheten efter 12 felaktiga koder (tre felaktiga 4-siffriga koder i följd). Enheten förblir blockerad tills 2 korrekta koder anges i följd.

12.4 Reservström

När batterierna börjar ta slut, blinkar den röda lysdioden på CD30 i 3 sekunder innan låset öppnats. Låset har en reservströmförsörjning som gör att dörren fortfarande kan öppnas 200 gånger eller att en tid av två veckor har gått.

Efter att dörren har öppnats 200 gånger kan dörren endast öppnas med administratörskoden.

13 Översiktskommandon

Kommando	1.	2.	3.	4.	5.	6.	7.
Ändra administratörskod							
Ändra administratörskod (Existerande administratörskod känd)	Tryck på B.	Ange den 6-siffriga administratörs koden.	Tryck på A27.	Ange en ny 6-siffrig administratörs kod.	Bekräfta genom att ange den nya administratörs koden en gång till.	Notera administratörs koden.	
Ändra administratörskod (Existerande administratörskod okänd)	Ta av CD30 från dörren.	Tryck snabbt på återställnings knappen på baksidan av CD30.	Ange en 6-siffrig administratörs kod.	Verifiera genom att ange samma administratörs kod igen.	Notera administratörs koden.		
Ändra gruppkod							
Ange gruppkod Ändra gruppkod	Tryck på B.	Ange den 6-siffriga administratörs koden.	Tryck på A21.	Mata in ett 1-siffrigt kodnummer (1-9).	Ange önskad 4-siffrig gruppkod.	Tryck B för att återgå till administratörs läget.	Tryck B för att lämna administratörs läget.
Ta bort gruppkod	Tryck på B.	Ange den 6-siffriga administratörs koden.	Tryck på A21.	Mata in ett 1-siffrigt kodnummer (1-9).	Ange 0000.	Tryck B för att återgå till administratörs läget.	Tryck B för att lämna administratörs läget.
Låsa upp/Låsa dörr							
Låsa upp dörren	Tryck på A1A.	Ange den gruppkod som är lagrad som nionde kod (fyra siffror).					
Låsa dörren	Tryck på A0A.	Ange den gruppkod som är lagrad som nionde kod (fyra siffror).					
Summer							
Inaktivera summern	Tryck på B.	Ange den 6-siffriga administratörs koden.	Tryck på A65.	För att aktivera, tryck på 0.	Tryck på B för att lämna administratörs äget.		
Aktivera summern	Tryck på B.	Ange den 6-siffriga administratörs koden.	Tryck på A65.	För att inaktivera tryck på 1.	Tryck på B för att lämna administratörs läget.		
Rensa minnet							
Rensa minnet	Ta av CD30 från dörren.	Tryck på återställnings knappen på baksidan av CD30.	Mata in 112186.	Mata in 112186.			

14 Lösa problem

Symptom	Lösning
Låset öppnas inte när grupp-koden används	<ul style="list-style-type: none"> ● Kontrollera att rätt grupp-kod används. ● Se till att handtaget inte är nedtryckt när koden förs in. ● Kontrollera att handtaget står horisontellt. ● Kontrollera att CD30 har monterats exakt vertikalt. ● Kontrollera att låset inte har skruvats fast för hårt i dörren, då det kan leda till att handtaget fastnar. ● Kontrollera att den röda markeringen på införingshylsan för handtagets kantspindel pekar nedåt.
CD30 är i olåst läge	<ul style="list-style-type: none"> ● Ställa in CD30 i låst position (om nödvändigt). Se avsnitt 10.2 <i>Låsa/låsa upp dörren</i>.
CD30 avger ingen signal vid knapptryck	<ul style="list-style-type: none"> ● Aktivera summern. Se avsnitt 7.4 <i>Lysdiödstatus vid batterivarning</i>. ● Summer. ● Kontrollera batterierna och byt ut tomma batterier. Se avsnitt 9.3 <i>Byta batterier</i>.
Batterierna är snart tomma	<ul style="list-style-type: none"> ● Intensiv användning kräver frekvent byte av batterier. Se avsnitt 9.3 <i>Byta batterier</i>. ● Kontrollera att handtagen går tillbaka i horisontalt läge.

15 Förklarande ordlista

	Förklaring
Administratörskod	En kombination av alfanumeriska tecken som en administratör har för att verifiera sig
Grupp-kod	En kombination av alfanumeriska tecken som en åtkomstgrupp har för att verifiera sig

16 Index

A

Administratörskod, 33
Användning, 42

B

Batterivarning, 32
Beställningsuppgifter, 30
Byta batterier, 37

F

Förpackningens innehåll, 30

G

Gruppkod, 38
~ *ställa in*, 38
~ *ta bort*, 39
~ *ändra*, 39

I

Inaktivera/aktivera summern, 40
Installera CD30 i dörren, 36

K

Knappsats, 31

L

Låsa/låsa upp dörren, 40
Lösa problem, 44

M

Minne, 41
Montering, 31, 35
 Installera CD30, 36
 Testa den mekaniska funktionen, 37
Målgrupp, 27

P

Produktbeskrivning, 27

R

Rensa minnet, 41
Reservström, 42

S

Safety, 27
Standarder och riktlinjer, 28
Summer, 32, 40

T

Tekniska data, 29
Testa den mekaniska funktionen av CD30, 37

Ä

Ändra administratörskod, 33
Ändra administratörskod
 Existerande administratörskod känd, 33
 Existerande administratörskod okänd, 34

Issued by
Vanderbilt International (IRL) Ltd.
Clonshaugh Business and Technology Park
Clonshaugh
Dublin 17
Ireland

www.vanderbiltindustries.com

Vanderbilt International (IRL) Ltd.
Data and design subject to change without notice.
Supply subject to availability.

Document no. A-100353-1
Edition 05.2016