



CDVI

Security to Access

BPNONFE

BNONFE



BNONFE
BPNONFE

Illuminated push button 12Vdc



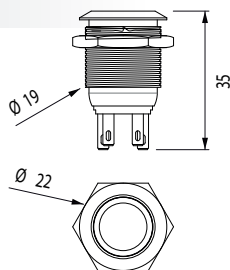
RoHS

EN **SE** **DK**

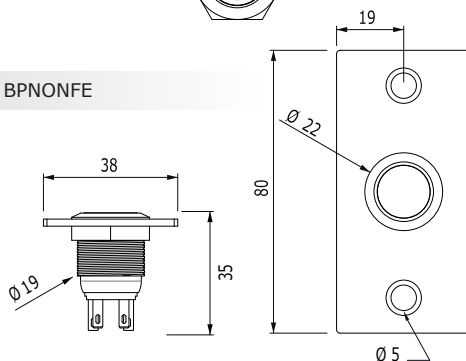
1] PRODUCT PRESENTATION

- **Illuminated (blue).**
- **Easy to mount (19mm hole).**
- **Heavy duty.**
- **Available in versions :**
 - Flush mount (BNONFE),
 - With a stainless steel plate (BPNONFE).
- **Input voltage:**
 - Contact : 12V - 5 A
 - LED : 12Vdc
- Material: cast aluminium body and stainless steel.
- Push button with Silver plated contact switch.
- Wires with lug supplied.
- NO and NC contact outputs with 2 separate contacts.

BNONFE



BPNONFE



Environmental tests:
Salt spray

IP67

-40°C to +70°C

H.R.V.
HIGH RESISTANCE
TO VANDALISM

**Recommended
power supplies**

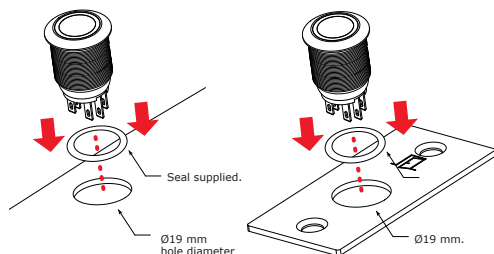


ARD12



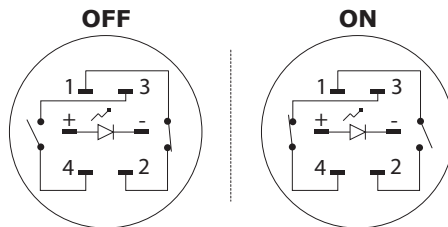
BS60

2] MOUNTING



3] WIRING DIAGRAM

- Normally Open (NO) = 3 + 4,
- Normally closed (NC) = 1 + 2.



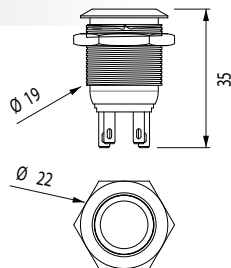
Switch bottom view

CABLE COLORS		
1		Black
2		Black
3		Red
4		Red
12V		Blue
0V		Grey

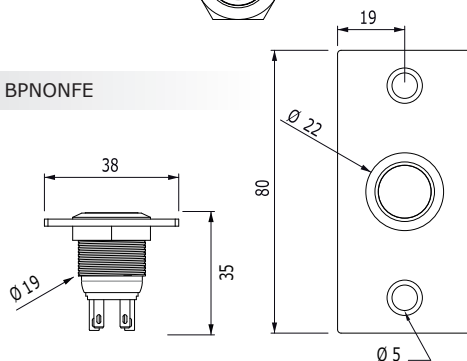
1] PRODUKTSPECIFIKATION

- **Bakgrundsbelyst (blå).**
- **Enkel att installera (19MM hål).**
- **Klarar hög belastning.**
- **Finns i olika utföranden :**
 - Infällt montage (BNONFE),
 - Med rostfri platta (BPNONFE).
- **Spänningsmatning**
 - Kontakt : 12V - 5 A
 - LED : 12Vdc
- Material: aluminium kropp och rostfritt stål
- Tryckknapp med silverplaterad kontakt.
- Kablage på stift.
- Separat NO och NC utgång.

BNONFE



BPNONFE



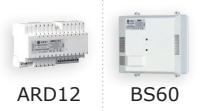
Miljötest:
Saltspray

IP67

-40°C till +70°C

H.R.V.
HIGH RESISTANCE
TO VANDALISM

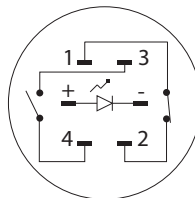
**Rekommenderade
nätaggregat**



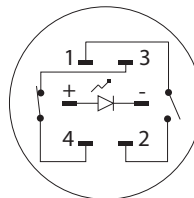
3] INKOPPLINGAR

- Normalt öppen (NO) = 3 + 4,
- Normalt slutet (NC) = 1 + 2.

OFF

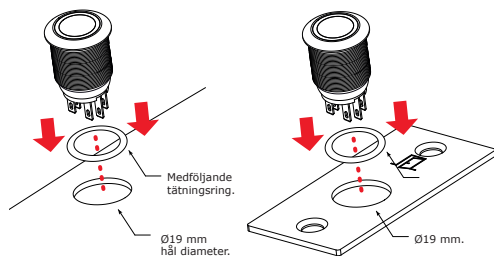


ON



Knapp sedd från undersidan

2] INSTALLATION



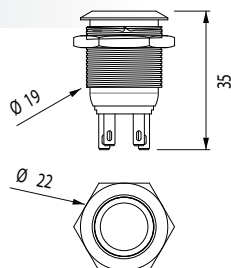
Kablage

Kablage	
1	Svart
2	Svart
3	Röd
4	Röd
12V	Blå
0V	Grey

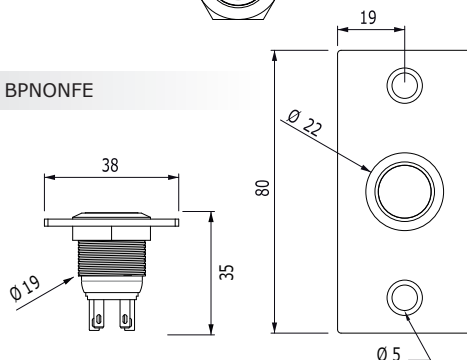
1] PRODUKTSPECIFIKATION

- **Baggrundsbelyst (blå).**
- **Nem at montere (19 mm. hul).**
- **Kan klare høj belastning.**
- **Fås i versionerne:**
 - Indfældet montering (BNONFE).
 - Med rustfri stålplade (BPNONFE).
- **Input-spænding:**
 - Kontakt: 12V – 5 A.
 - LED: 12V DC.
- **Materiale:** støbt aluminium og rustfrit stål.
- Trykknop med sølvbelagt kontakt.
- Pin kabler følger med.
- NO- og NC-udgang med 2 separate kontakter.

BNONFE



BPNONFE

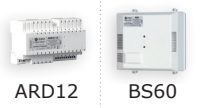


Miljøtest:
Saltspray

IP67

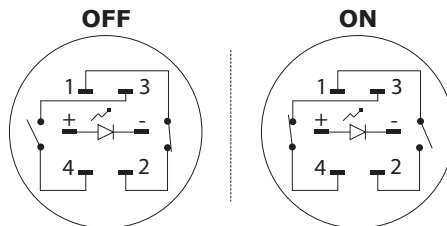
-40°C til +70°C

Anbefalede strømforsyninger



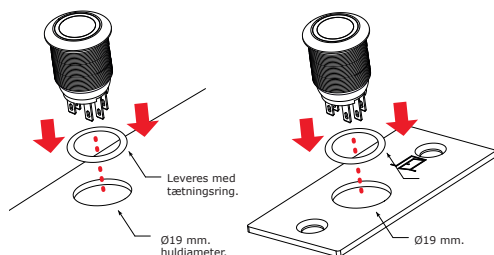
3] KOBLINGSSKEMA

- Normalt åben (NO) = 3 + 4.
- Normalt lukket (NC) = 1 + 2.



Knap set nedefra

2] MONTERING



KABELFARVER		
1		Sort
2		Sort
3		Rød
4		Rød
12V		Blå
0V		Grå



CDVI

Security to Access

Extranet : CDVI_IM BNONFE - BPNONFE CMYK A5 EN-SE-DK 01

CDVI Group

FRANCE (Headquarters)

Phone: +33 (0) 1 48 91 01 02

.....

CDVI FRANCE + EXPORT

+33 (0) 1 48 91 01 02

www.cdvi.com

CDVI AMERICAS [CANADA - USA]

+1 (450) 682 7945

www.cdvi.ca

CDVI BENELUX [BELGIUM - NETHERLANDS - LUXEMBOURG]

+32 (0) 56 73 93 00

www.cdviBenelux.com

CDVI TAIWAN

+886 (0) 42471 2188

www.cdviChina.cn

CDVI SUISSE

+41 (0) 21 882 18 41

www.cdvi.ch

CDVI CHINA

+86 (0) 10 84606132/82

www.cdviChina.cn

CDVI IBÉRICA [SPAIN - PORTUGAL]

+34 (0) 935 390 966

www.cdviIberica.com

CDVI ITALIA

+39 (0) 321 90 573 - www.cdvi.it

CDVI MAROC

+212 (0) 5 22 48 09 40

www.cdvi.ma

CDVI NORDICS [SWEDEN - DENMARK - NORWAY - FINLAND]

+46 (0) 31 760 19 30

www.cdvi.se

CDVI UK [UNITED KINGDOM - IRELAND]

+44 (0) 1628 531300

www.cdvi.co.uk

CDVI POLSKA

+48 (0) 12 659 23 44

www.cdvi.com.pl

All the information contained within this document (pictures, drawings, features, specifications and dimensions) could be perceptibly different and can be changed without prior notice.

www.cdvigroup.com